

Wrapper UB 02

**SCHNEIDER
OZGA oHG**

Mechanical engineering



The wrapper UB 02 dispenses paper sheets to protect the bottom of the product for damaging. With the three quarter option it is possible to wrap three quarters or the package.

- Bottom wrap capacity up to 50 bundles per minute
- Three quarter wrap (height dependent) up to 35 bundles per minute
- Bundle size B x L max. 600 x 510 mm, height 300 mm for three quarter wrap



**Suitable for operation with bundles of
newspapers, magazines and
commercial printers..**

Schneider u. Ozga oHG
Maschinen- u. Anlagenbau
Am Bahnhof 3
95463 D-Bindlach

Tel: 0049 9208 668 0
Fax: 0049 9208 717
e-mail: info@schneider-ozga.de
www.Schneider-Ozga.de

Strappers
Dobbies and accessories
Special machines
Container and steel construction
Sheet metals

TECHNICAL DATA

Capacity

Up to 50 bottom wraps/min
Up to 35 three quarter wraps/min

Bundle size

Width:	max.	500 mm (19.7")
	min.	180 mm (7")
Height (three quarter):	max.	300 mm (11.8")
	min.	5 mm (0.2")
Length:	max.	510 mm (20")
	min.	130 mm (5")

Bundle weight

max. 25 kg

Paper condition

60 g/m² to 100 g/m²

Reel sizes

Core diameter:		70 mm
External diameter:	max.	500 mm
Width:	max.	500 mm

Electrical supply

400 V, 3 phase, 50 Hz

Consumption

0.6 kW

Conveyor speed

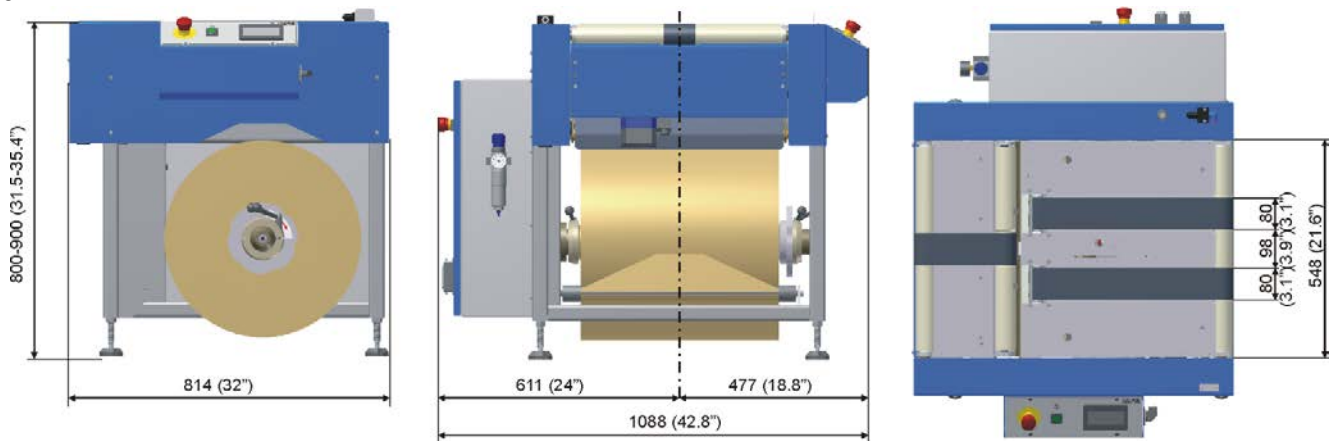
app. 25 - 57 m/min.

Weight

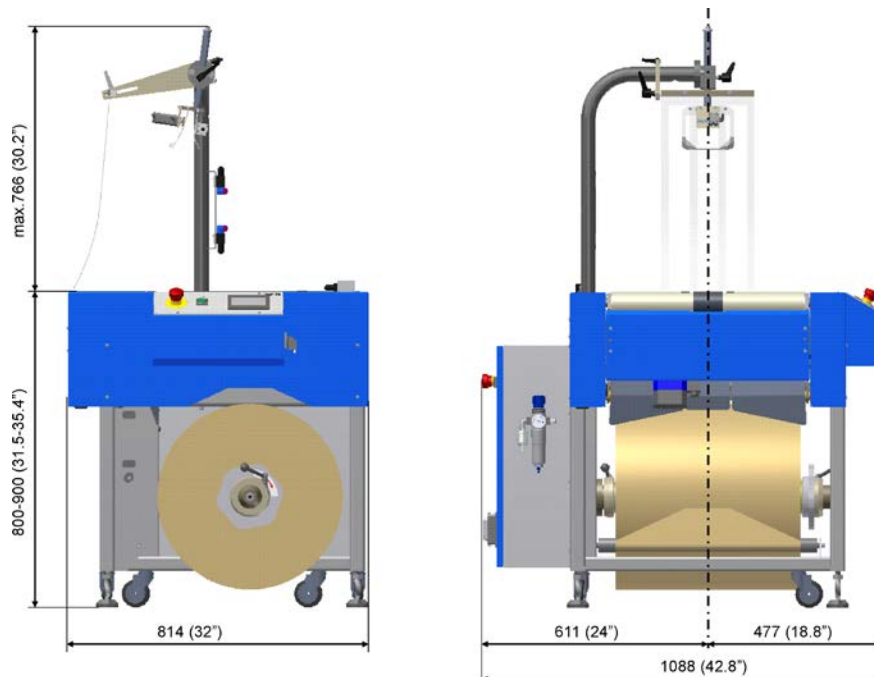
app. 220 kg (bottom) / app. 260 kg (three quarter)

Dimensions:

UB 02:



UB 02 3/4:



BASIC EQUIPMENT

- Bundle counter
- Colour RAL 3003 (ruby red) or RAL 5007 (brilliant blue)
- Connections for tail back in and tail back out with a plug
- Inverter controlled transport motors, not mechanical brake
- Machine with wheels and castors
- PLC control with four adjustable programs for different products
- Touch screen, lockable with free programmable code
- Transport speed infinitely variably by the touch screen

SPECIAL EQUIPMENT (extra charge)

- Air gun with spiral hose
- Cable numbering
- Mains plug box on machine
- Paper loading cart
- Paper reel detection
- Paper jam detection
- Protection doors
- Special colour
- UB 02 3/4 wrap

SPECIAL EQUIPMENT (without extra charge)

- Opposite hand